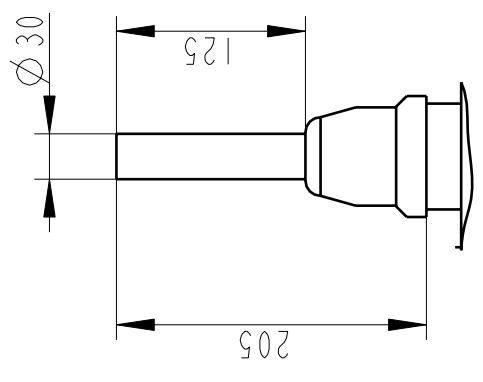
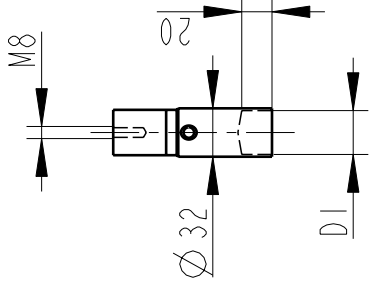


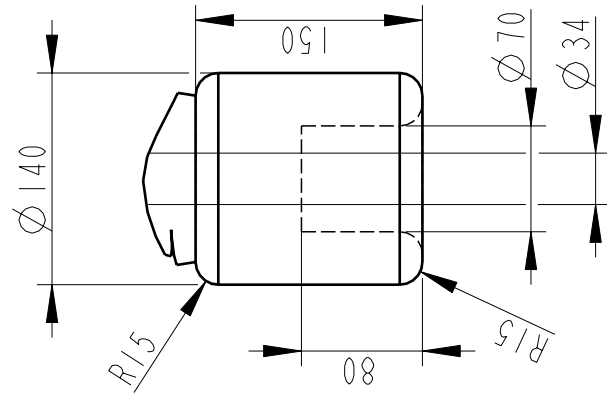
OUTER TERMINAL



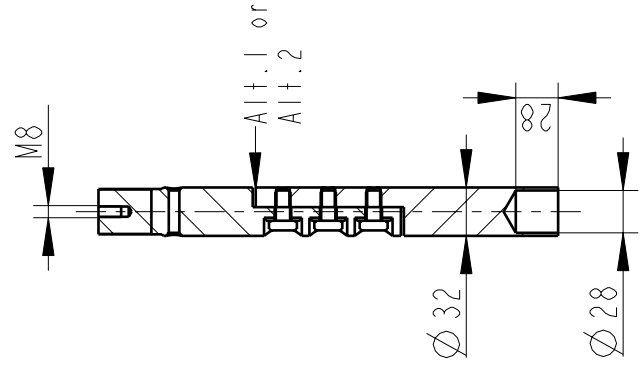
INNER TERMINAL FOR STRANDED CABLE



END SHIELD



SOLID ROD CONNECTOR



The solid rod can be divided either:
 Alt.1: 20mm below the bushing flange or
 Alt.2: 20mm below the upper end
 of the bottom porcelain

Bushing Data:

Rated Voltage	170	kV
Phase to Ground Voltage	145	kV
Dry Lightning Impulse 1,2/50µs	650	kV
Wet power frequency AC	275	kV
Routine test Imin dry 50Hz	300	kV
Rated Current	1250	A
Creepage Distance	4080±110	mm
Creepage Distance Protected	1620	mm
Mass	124	kg

Ordering Data:

BUSHING	COLOUR AIR INSULATOR
LF123193-M	BROWN
-N	LIGHT GREY
OUTER TERMINAL	
LF 170 002-B	Cu, Ø 30, L=125
LF 170 001-B	Al, Ø 30, L=125
OTHER TYPES ON REQUEST	
INNER TERMINAL FOR STRANDED CABLE	
For brazing	Conductor area DI
LF 170 011-T	up to 285mm ² Ø 29
LF 170 011-V	Undrilled with pilot hole Ø 5
SOLID ROD CONNECTOR	
LF 170 052 -AE	for Alt.1
LF 170 052 -AF	for Alt.2

ABB Components Ludvika, Sweden	
No.	U / S / AC
U	kV Ir
S	A 50/60 Hz
AC	kV
M	kg L mm V
C1	pf Tan δ
C2	pf Tan δ

Based on	Reg. No.
Prepared	Responsible department
LÖV Nord	COM/BK
Approved	Take over department
Johansson	Database
Design engineering review	
Hedlund	

Title	Language
GOB 650-1250-0.3	I(1)
WITH OIL LEVEL GAUGE	Page
LONG END SHIELD	1(1)
Document No.	
2751369-220	

ABB ABB Components

We reserve all rights in this document and in the information contained therein. Reproduction, use or disclosure to third parties without express authority is strictly forbidden. ©ABB